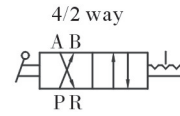
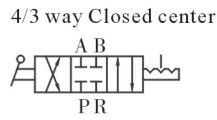


HAND LEVER VALVE(4/3 4/2WAY)

4HV SERIES



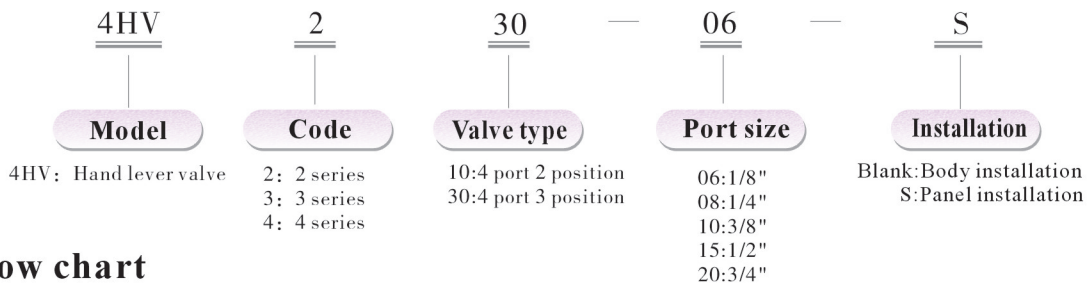
Symbol



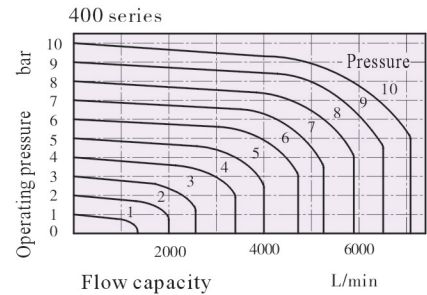
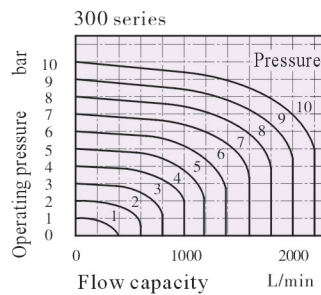
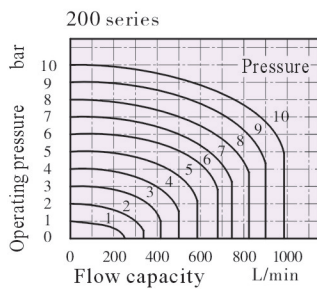
Specification

Model	4HV2□□ -06	4HV2□□ -08	4HV3□□ -08	4HV3□□ -10	4HV4□□ -15	4HV4□□ -20
Media	Air(to be filtered by 40 μ filter element)					
Type	4 port 2 position, 4 port 3 position					
Port size	1/8"	1/4"	3/8"	1/2"	3/4"	
Orifice size mm ² (Cv)	14(0.78)	16(0.89)	30(1.67)	33(1.83)	88(4.89)	95(5.27)
Pressure range	0~10.0 bar (0~1.0MPa)(0~142Psi)					
Proof pressure	15.0 bar (1.5MPa)(213Psi)					
Temperature range	-5~60℃					
Operating angle	90					

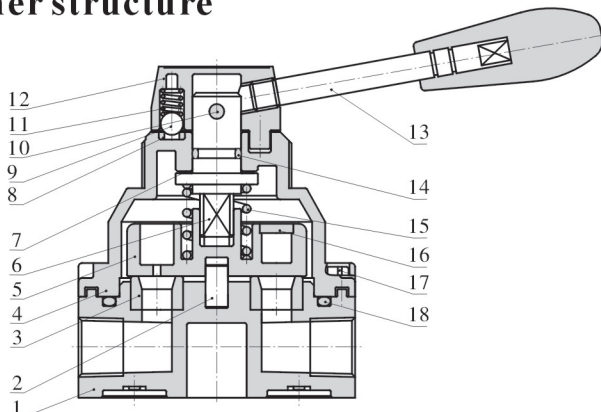
Ordering code



Flow chart



Inner structure



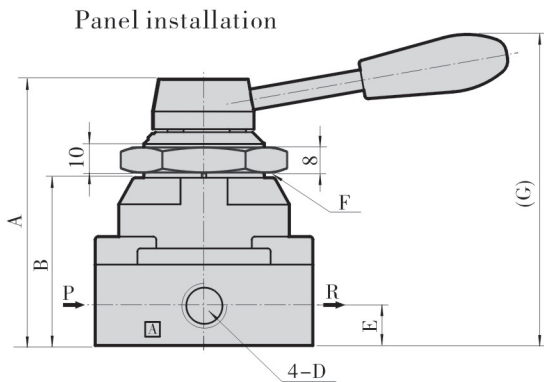
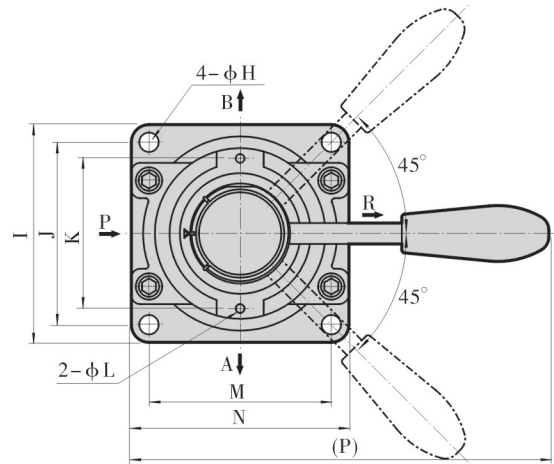
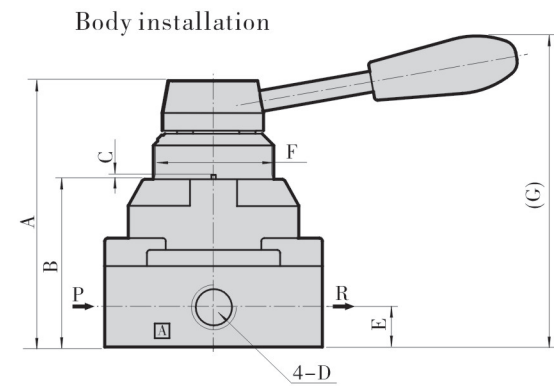
NO.	Item	NO.	Item
1	Body	2	Bearing pin
3	Sealed seat	4	Valve cover
5	Valve core	6	Spool
7	Washer	8	Fixing plate
9	Slide ball	10	Fast pin
11	Slide ball spring	12	Valve cap
13	Hand lever	14	O-ring
15	Slide ring spring	16	Sealed plate
17	Fixing screw	18	O-ring



HAND LEVER VALVE(4/3 4/2WAY)

4HV SERIES

■ Dimensions



Type\Item	A	B	C	D	E	F	G	H	I	J	K	L	M	N	P
4HV2□□-06	72.6	45	1.5	1/8"	11.5	M34 × 1.5	92.5	5	62	49	40	3	49	62	120
4HV2□□-08	72.6	45	1.5	1/4"	11.5	M34 × 1.5	92.5	5	62	49	40	3	49	62	120
4HV3□□-08	88.5	56	1.5	1/4"	13.5	M40 × 1.5	104	6.6	74	62	51	3	62	74	140
4HV3□□-10	88.5	56	1.5	3/8"	13.5	M40 × 1.5	104	6.6	74	62	51	3	62	74	140
4HV4□□-15	110.3	72	2	1/2"	18	M52 × 1.5	126	6.6	102	89	64	3	81	94	160
4HV4□□-20	110.3	72	2	3/4"	18	M52 × 1.5	126	6.6	102	89	64	3	81	94	160