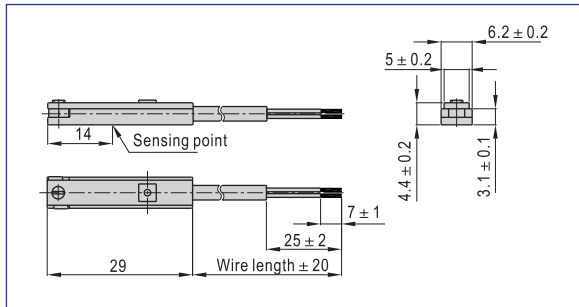




Dimensions



Specification

Item/Type	CS1-E	CS1-EX
Switch logic	STSP Normally opened type	
Switch type	Reed switch with contact	
Operating voltage(V)	5~240V AC/DC	
Max. Switching current(mA)	100	
Switching rating(W)	Max. 10	
Current consumption	No	
Voltage drop	2.5V Max. @100mA DC	
Cable	Φ2.8,2C Gray oil resistant PVC (Flame retarded)	
Indicator	Red LED	No
Leakage current	No	
Sensitivity(Gauss)	45~55	
Max. Frequency(Hz)	200	
Shock(m/s ²)	300	
Vibration(m/s ²)	90	
Temperature range(°C) ①	-10~70	
Enclosure classification	IP67(NEMA6)	
Protection circuit	No	

① Note: Please contact us for high temperature resistant(125°C),low temperature resistant(-40~-25°C) and explosion-proof sensor switch.

Ordering code

CS1 E X 020

- **Number of sensor switch**
CS1: Sensor switch
- **Specification of sensor switch**
Specification Product Series
E: E type Use for SE,ACE series
- **Model of sensor switch**
Blank: two-line magnetic spring pipe with contact/normally opened
X: two-line magnetic spring pipe with contact, without indicator light/normally opened
- **Connecting way** ①
C08: M8 quick joint, length of wire is 150mm
C12: M12 quick joint, length of wire is 150mm
020: length of wire is 2m
030: length of wire is 3m
050: length of wire is 5m
100: length of wire is 10m

① Note: The quick joint that is attached at the end of wire is three-needle-male joint-linear-rotary screw thread type. The female joint plug has to be ordered additionally. Please refer to P420 for the specific data.

Mounting

Installation example	Installation method
	<p>No additional accessories are necessary for the sensor switch of CS1-E, CS1-EX series. It can be directly fixed onto the groove of the cylinder, which is convenient and fast.</p> <p>1. Adjust the clamping screw on sensor switch slide the sensor switch into the installation slot and adjust it to the proper position and tighten the clamping screw to fix.</p>



Sensor switch