

Universal Joint



■ Table for universal joint and cylinder

Accessory	SE						SI								
	32	40	50	63	80	100	32	40	50	63	80	100	125	160	200
F-M10X125U	●														
F-M12X125U		●													
F-M16X150U			●	●						●	●				
F-M20X150U					●	●						●	●		
F-M27X200U							●							●	
F-M36X200U															●

Accessory	SGC				SC/SU				JSI								
	125	160	200	250	32	40	50	63	80	100	32	40	50	63	80	100	125
F-M10X125U																	
F-M12X125U																	
F-M14X150U																	
F-M16X150U																	
F-M18X150U																	
F-M20X150U																	
F-M27X200U																	
F-M36X200U																	

Accessory	ACQ									
	12	16	20	25	32	40	50	63	80	100
F-M5X080U	●									
F-M6X100U		●								
F-M8X125U			●							
F-M10X125U				●						
F-M14X150U					●	●				
F-M18X150U							●	●		

Accessory	MA				MAL				MF							
	16	20	25	32	40	50	63	80	20	25	32	40	20	25	32	40
F-M6X100U	●															
F-M8X125U		●														
F-M10X125U			●	●												
F-M12X125U					●											
F-M14X150U						●	●									

Accessory	PB				MI								
	4	6	10	12	16	8	10	12	16	20	25	32	40
F-M4X070U			●										
F-M5X080U				●	●								
F-M6X100U									●	●			
F-M8X125U											●		
F-M10X125U												●	
F-M12X125U													●

■ Ordering code

F-M10X125 U

Accessories code

Code

U: Universal joint

Screw thread

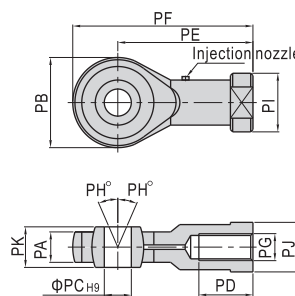
M4: M4
M5: M5
M6: M6
M8: M8
M10: M10
M12: M12
M14: M14
M16: M16
M18: M18
M20: M20
M27: M27
M36: M36

Thread pitch

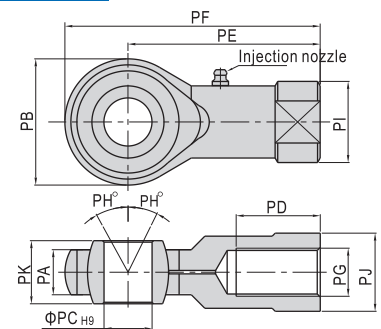
Screw thread	Thread pitch
M4	070: 0.7mm
M5	080: 0.8mm
M6	100: 1.0mm
M8, M10, M12	125: 1.25mm
M14, M16	150: 1.5mm
M18, M20	
M27, M36	200: 2.0mm

■ Dimensions

M8 and below



M10 and above



Type/Item	PA	PB	PC	PD	PE	PF	PG	PH	PI	PJ	PK
F-M4X070U	6	18	5	10	27	36	M4×0.7	13	12.5	10	8
F-M5X080U	6	18	5	10	27	36	M5×0.8	13	12.5	10	8
F-M6X100U	6.8	20	6	12	30	40	M6×1.0	13	13	11	9
F-M8X125U	9	24	8	16	36	48	M8×1.25	13	16	14	12
F-M10X125U	11	26	10	20	43	56	M10×1.25	13	19	17	14
F-M12X125U	12	32	12	22	50	66	M12×1.25	13	22	19	16
F-M14X150U	14	36	14	28	57	75	M14×1.5	13	25	22	19
F-M16X150U	15	40	16	28	64	84	M16×1.5	15	27	22	21
F-M18X150U	16.5	46	18	30	71	94	M18×1.5	15	31	27	23
F-M20X150U	18	46	20	33	77	100	M20×1.5	15	34	30	25
F-M27X200U	25	70	30	51	110	145	M27×2.0	15	50	41	37
F-M36X200U	27.5	80	35	56	125	165	M36×2.0	15	57.5	50	43



Universal Joint

