

Fluid control valve(2/2way)

2W Series (Internally piloted and normally closed)



2W

Symbol



Product feature

1. Indirect acting (Internal pilot) and normally closed type 2/2 way solenoid valve. It can change direction quickly and has large flow.
2. It is compact, small and light weight. It is easy to install and dismantle;
3. The valve body is made of brass. The coil has a Heat resistance classification of Class B. The standard seal material is FPM-F. Please contact us if other material are required.
4. The protection class of the coil is IP65 and there is a choice for grommet or terminal electrical entry.

Valve's specification

Acting	Internally piloted				
Initial stats	Normally closed				
Adaptable fluid ①	Air, Water, Oil				
Viscosity limit	Under 20CST				
Ambient and fluid temperature(°C)		Water	Air	Oil	Ambient
	Max.	80	90	80	70
	Min.	1	-20 ②	-10 ③	-20

① Note: Please refer to P121 for detail of other's fluid.

② Note: Dew point: -20(°C) or less. ③ Note: 50CST or less.

Inner structure

2W150(Grommet)

No.	Item	No.	Item	No.	Item	No.	Item
1	Body	7	Screw	13	Coil assembly	19	Airtight ring
2	Filter	8	Spring	14	Washer	20	Plug
3	Piston	9	Spring	15	E Clip	21	Spring
4	Wear ring	10	Screw	16	Movable core	22	Spacer
5	O-ring	11	Fixed cap	17	Fixed plate		
6	Cover	12	Washer	18	O-ring		

Specification

Type\Item	Port size①	Orifice size (Φmm)	Cv	Valid area or section(mm ²)	Weight ② (g)	Max. operating pressure differentia		Proof pressure	
						MPa	psi	MPa	psi
2W150-15	1/2"	15.0	5.50	100.0	720	Max:1.0 Min:0.05	Max:150 Min:10	1.5	220
2W200-20	3/4"	20.0	9.50	170.0	950				
2W250-25	1"	25.0	12.50	220.0	1200				

① PT thread, NPT thread and G thread are available.

② The weight in the table is the terminal valve's weight, grommet valve's weight is 10g less than terminal's.

Specification of coil

Valve type	Coil type	Power type	Frequency (Hz)	Voltage range	Electrical entry	Power Consumption (VA/W)	Insulation	Temp. rise(°C)
2W150 2W200 2W250	CDA116 CLA116	AC	50	± 15 %	Terminal (CDA) Grommet (CLA)	10.0VA	Class B	35
			60			8.0VA		30
		DC	-	± 10 %		6.5W		

Ordering code

2W 150 15 A □ □

- Model**: 2W: 2/2 way internally piloted and normally closed
- Orifice size**:
 - 150: Φ 15mm
 - 200: Φ 20mm
 - 250: Φ 25mm
- Thread type**:
 - Blank: PT
 - T: NPT
 - G: G
- Electrical entry**:
 - Blank: Terminal
 - I: Grommet
- Port size**:

Orifice size	Port size
Φ 15mm	15: 1/2"
Φ 20mm	20: 3/4"
Φ 25mm	25: 1"
- Voltage**:
 - A: AC220V
 - B: DC24V
 - C: AC110V
 - E: AC24V
 - F: DC12V

Ordering code of accessories

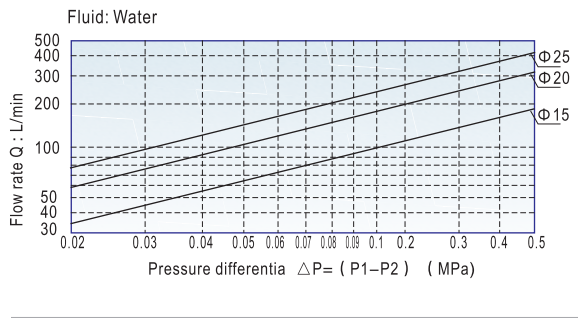
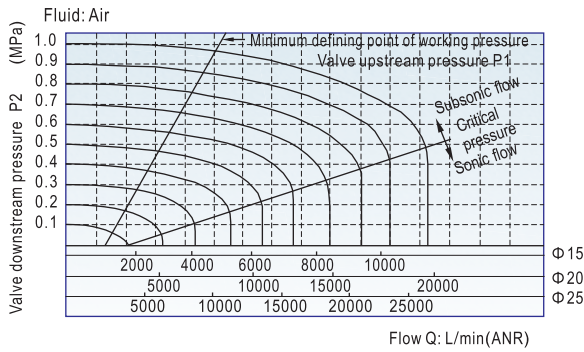
Ordering code of accessories is the same as 2S series valve's, Please refer to P98 for details of ordering code.



Fluid control valve(2/2way)

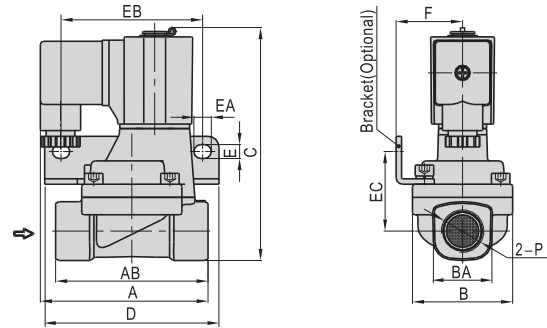
2W Series (Internally piloted and normally closed)

Flow chart



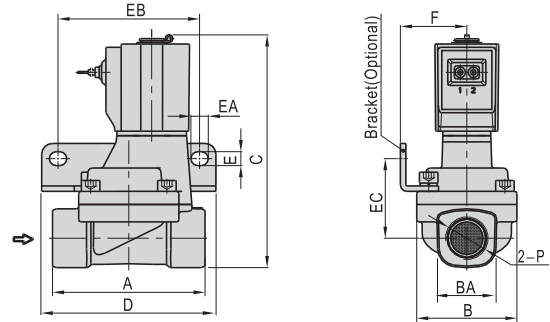
Dimensions

Terminal



Type\Item	A	AB	B	BA	C	D	E	EA	EB	EC	F	P
2W150-15	77	70	46	27.5	107	80	6.4	8	65	36.5	30.5	1/2"
2W200-20	78.5	82	53	33.5	115.5	90	6.4	8	75	40	34	3/4"
2W250-25	81	92	59	40.5	124	95	6.4	8	80	44.5	36	1"

Grommet



Type\Item	A	B	BA	C	D	E	EA	EB	EC	F	P
2W150-15	70	46	27.5	107	80	6.4	8	65	36.5	30.5	1/2"
2W200-20	82	53	33.5	115.5	90	6.4	8	75	40	34	3/4"
2W250-25	92	59	40.5	124	95	6.4	8	80	44.5	36	1"



2W